

GPS

Covert Mount Antenna

15/04/2014 V1

GPSSV-VAR

Excellent performance

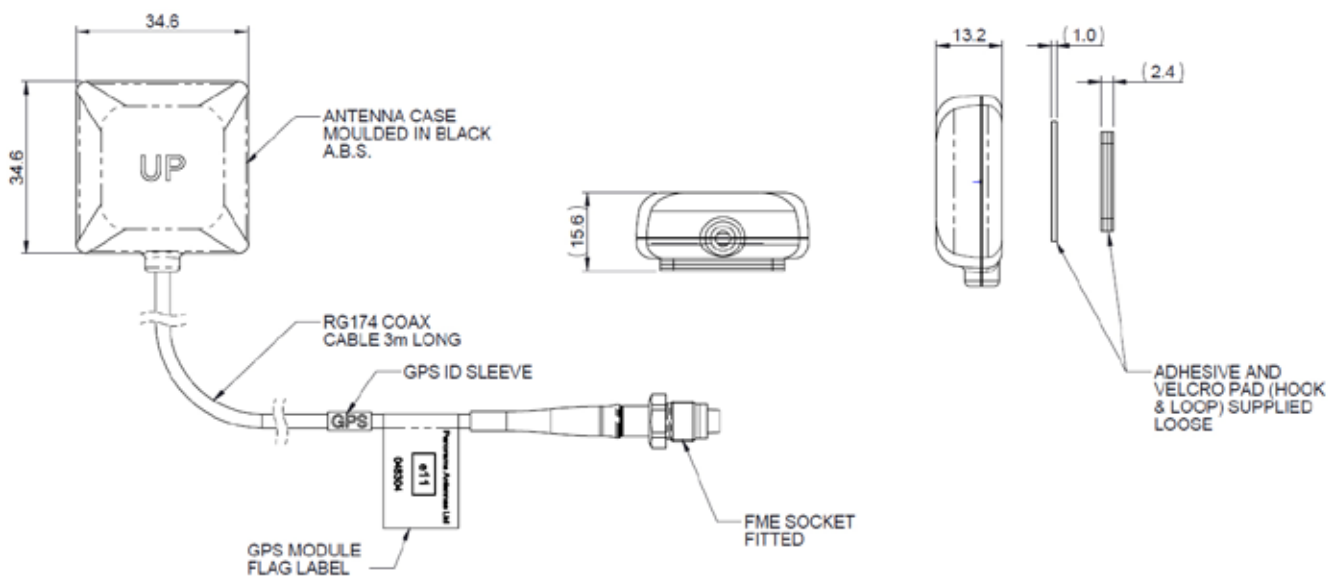
Active GPS element

Adhesive and hook & loop pad mounting options

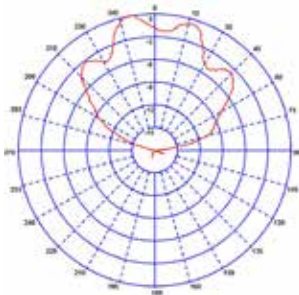


The GPSSV range of antennas offer excellent GPS coverage in a simple compact design. Each kit comes complete with both adhesive pad mount for a secure installation in almost any location and hook and loop pads for temporary fixing. A range of terminations are available to fit your application.

Technical Drawing



Typical E-Plane (GPS)



Part No.	GPSSV-3F	GPSSV-3SMCP	GPSSV-3SMAP
Electrical Data			
Frequency Range (MHz)	1575		
VSWR	<2.0:1 @ 1575MHz ± 4MHz		
Gain: LNA	26dB		
Polarisation	Right Hand Circular		
Operating Voltage	3 - 5V DC (fed via coax)		
Current (Typical)	15mA		
Impedance	50Ω		
GPS Approvals	EN 301 489-1 V1.8.1 (2008-04), EN 300 440-1 V1.6.1 (2010-08), EN60950-1		
Automotive Type Approval	E11 - 048304		
Mechanical Data			
Dimensions (mm)	Length	34.6 (1.36")	
	Height	13.2 (0.5")	
	Width	34.6 (1.36")	
Operating Temp (°C)	-40°/+80°C (-40°/+176°F)		
Material	ABS		
Colour	Black		
Mounting Data			
Fixing	Adhesive pad/hook & loop		
Termination Data			
Type	RG174		
Diameter (mm)	2.5 (0.09")		
Length (m)	3 (9' 10")		
Termination	FME Socket	SMC Plug	SMA Plug

PANORAMA ANTENNAS

Panorama Antennas Ltd
Frogmore, London, SW18 1HF, United Kingdom

T: +44 (0)20 8877 4444
F: +44 (0)20 8877 4477
E: sales@panorama-antennas.com
www.panorama-antennas.com

Waiver: The data given above is indicative of the performance of the product/s under particular conditions and does not imply a guarantee of performance or a warranty of fitness for any particular purpose. These specifications are subject to change without notice.

Copyright © Panorama Antennas Ltd. All rights reserved.