

4G/3G/2G MiMo Desk Mount Antenna

DMM-7-27 Range



Supports MiMo & diversity across 2G /3G / 4G
 Two omni-directional ultra wideband elements
 Fold out feet for desk mounting
 Optional suction mount

The DMM antenna provides an innovative and future proof solution for 2G / 3G and 4G networks. Incorporating two separately fed ultra wideband elements in a single housing the DMM is equipped to provide portable MiMo and diversity support for the networks of today and tomorrow.

The DMM is highly portable and features desk mount feet which fold out for use, and flat for transport. A handy suction window mount (DMM-7-27-2SP Variant) enables users to optimise their signal in multiple locations, with instant installation and easy removal.

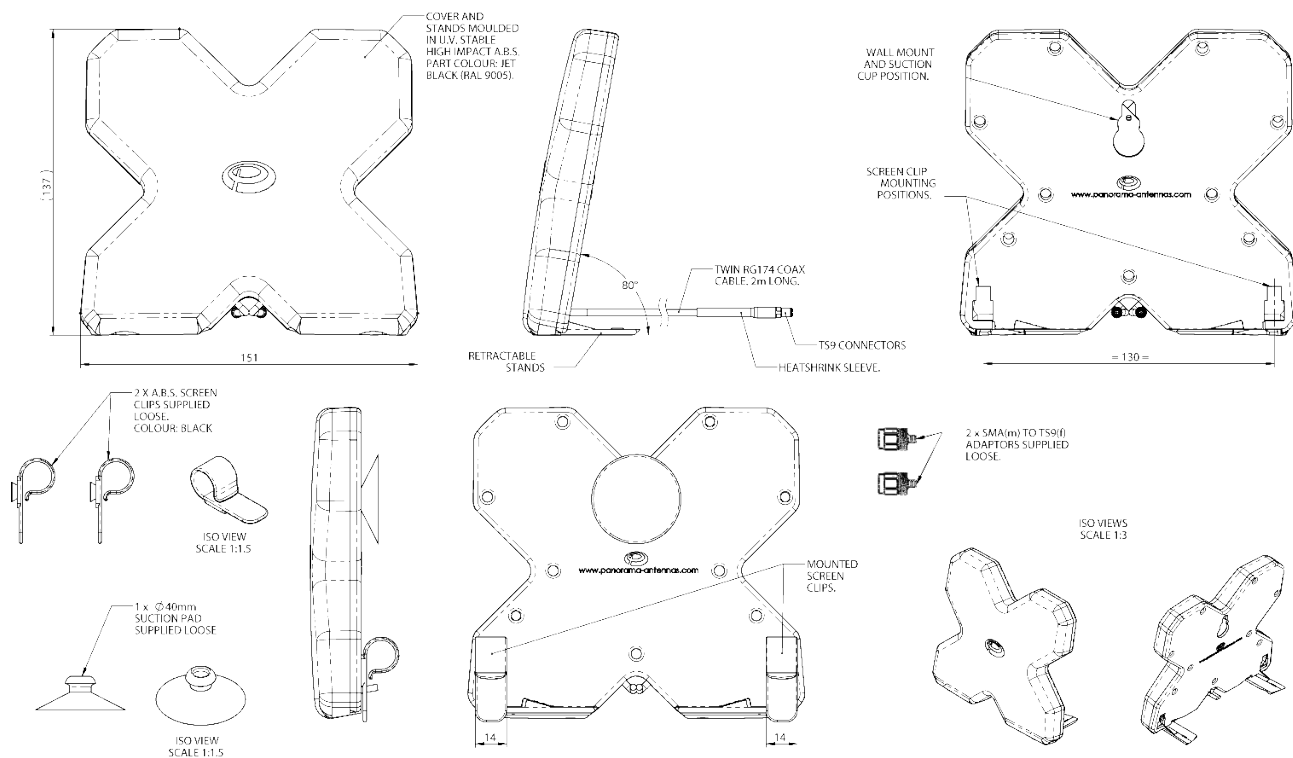
The product is supplied with up to 2 metres of cable and a variety of adaptors are available.

The DMM is an cost effective value added product for network operators and service providers ensuring a stable link with improved data rates for subscribers thereby improving satisfaction and retention.



Technical Drawing

DMM-7-27-2TS9 shown



4G/3G/2G MiMo Desk Mount Antenna

DMM-7-27 Range

PANORAMA  ANTENNAS

Product Data

Part No.		DMM-7-27-2SP	DMM-7-27-2TS9	DMM-7-27-2CRC9
Electrical Data				
Frequency Range (MHz)	Antenna 1	698-960 / 1710-2700	698-960 / 1710-2700	698-960 / 1710-2700
	Antenna 2	698-960 / 1710-2700	698-960 / 1710-2700	698-960 / 1710-2700
Operational Bands		2G / 3G / 4G	2G / 3G / 4G	2G / 3G / 4G
Radiation Pattern		Omni-directional	Omni-directional	Omni-directional
Typical VSWR		< 2.5:1	< 2.5:1	< 2.5:1
Peak Gain - excluding cable loss (all bands)	698-960MHz	2.5dBi	2.5dBi	2.5dBi
	1710-2170MHz	4dBi	4dBi	4dBi
	2.2-2.7GHz	3dBi	3dBi	3dBi
Efficiency - excluding cable loss (all bands)	698-960MHz	> 50%	> 50%	> 50%
	1710-2170MHz	> 80%	> 80%	> 80%
	2.2-2.7GHz	> 65%	> 65%	> 65%
Correlation Co-efficient (all bands)		< 0.1	< 0.1	< 0.1
Element Isolation		> 20dB	> 20dB	> 20dB
Max Input Power (W)		20 Watts	20 Watts	20 Watts
Impedance		50Ω	50Ω	50Ω
Mechanical Data				
Dimensions (mm)	Height	137 (5.4")	137 (5.4")	137 (5.4")
	Width	151 (5.94")	151 (5.94")	151 (5.94")
Operating Temp (°C)		-40° / +80°C (-40° /180°F)	-40° / +80°C (-40° /180°F)	-40° / +80°C (-40° /180°F)
Material		U.V. Stabilised ABS	U.V. Stabilised ABS	U.V. Stabilised ABS
Colour		RAL9005 (Jet Black)	RAL9005 (Jet Black)	RAL9005 (Jet Black)
Weight		250g	250g	250g
Mounting Data				
Fixing		Desk mount / screen clip window mount	Desk mount / screen clip window mount	Desk mount / screen clip window mount
Cable Data				
Type		2 x RG174	2 x RG174	2 x RG174
Diameter (mm)		2.8 (0.1")	2.8 (0.1")	2.8 (0.1")
Length (m)		2 (6.5')	2 (6.5')	2 (6.5')
Termination		2 x SMA (m)	2 x TS9 (m)	2 x CRC9 (m)
Adaptors		Supplied separately	TS9 (f) to SMA (m)	Not available